



CARBIDE REAMER

About TMRT - Totem Multiflute Reaming Tools

- These reamers are designed for the highest metal removal rates from diameter 1.5mm–12mm as a std
- All standard reamers are ground to an ISO H7 tolerance class hole to address most common applications.
- Special coatings and lead chamfer configurations enable high-speed machining of steel, stainless steel, cast iron, and non-ferrous materials at high speeds.

Features & Benefits

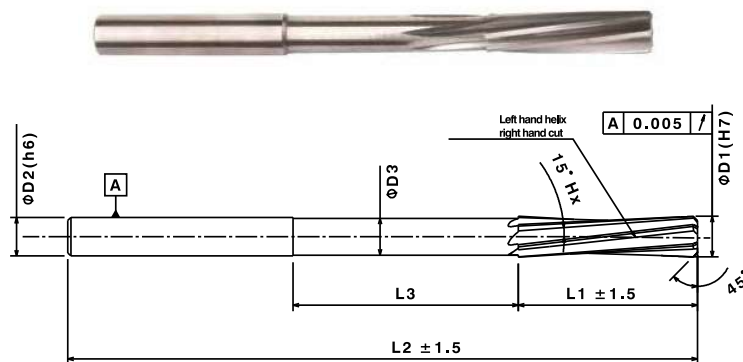
- Higher Productivity and Profitability
- Longer tool life with increased hole and surface quality
- Highest metal removal rate at higher speeds and feeds due to reaming-specific low cobalt grades and substrates.
- Intermediate diameters from 1.5mm - 20mm can be offered as per various lead chamfer configuration as a custom solution.
- All TMRT reamers are also offered with internal coolant supply.



TMRT Totem multi flute reaming tools



DRILLS



P0-P6

K1-K3

M1-M3

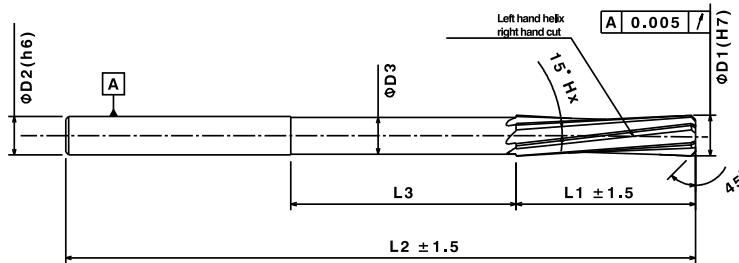
N1-N7

Unit : mm

D1	L1	L3	D3	L2	D2	z	SPIRAL FLUTE
mm	mm	mm	mm	mm	mm	mm	EDP No
1.5	16	16	1.4	57	3	4	FBK0508453
1.95	16	16	1.7	57	3	4	FBK0508442
1.96	16	16	1.7	57	3	4	FBK0508443
1.97	16	16	1.7	57	3	4	FBK0508444
1.98	16	16	1.7	57	3	4	FBK0508445
1.99	16	16	1.7	57	3	4	FBK0508446
2.0	16	16	1.8	57	3	4	FBK0508447
2.01	16	16	1.8	57	3	4	FBK0508448
2.02	16	16	1.8	57	3	4	FBK0508449
2.03	16	16	1.8	57	3	4	FBK0508450
2.04	16	16	1.8	57	3	4	FBK0508451
2.05	16	16	1.8	57	3	4	FBK0508452
2.95	16	16	2.7	65	3	4	FBK0508309
2.96	16	16	2.7	65	3	4	FBK0508310
2.97	16	16	2.7	65	3	4	FBK0508311
2.98	16	16	2.7	65	3	4	FBK0508312
2.99	16	16	2.7	65	3	4	FBK0508313
3.0	16	20	2.5	65	3	4	FBK0508314
3.01	16	20	2.51	65	3	4	FBK0508315
3.02	16	20	2.52	65	3	4	FBK0508316
3.03	16	20	2.53	65	3	4	FBK0508317
3.04	16	20	2.54	65	3	4	FBK0508318
3.05	16	20	2.55	65	3	4	FBK0508319
3.1	16	20	2.6	65	3	4	FBK0508320
3.2	16	20	2.7	65	3	4	FBK0508321
3.3	19	20	2.8	65	3	4	FBK0508322
3.35	19	20	2.85	65	3	4	FBK0508323
3.4	19	20	2.9	70	3	4	FBK0508324
3.45	19	20	2.95	70	3	4	FBK0508325
3.55	19	20	3.05	70	3	4	FBK0508326
3.6	19	20	3.1	70	3	4	FBK0508327
3.65	19	20	3.15	70	3	4	FBK0508328



Totem multi flute reaming tools



- P0-P6
- K1-K3
- M1-M3
- N1-N7

DRILLS

Unit : mm

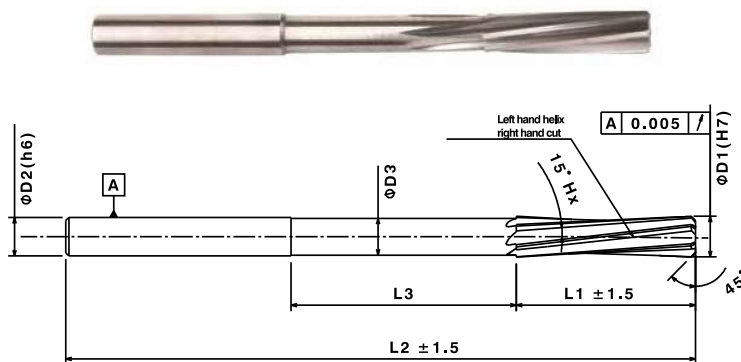
D1	L1	L3	D3	L2	D2	z	SPIRAL FLUTE
mm	mm	mm	mm	mm	mm	mm	EDP No
3.7	19	25	3.2	70	4	4	FBK0508329
3.75	19	25	3.25	75	4	4	FBK0508330
3.8	19	25	3.3	75	4	4	FBK0508331
3.9	19	25	3.4	75	4	4	FBK0508332
3.95	19	25	3.45	75	4	4	FBK0508333
3.96	19	25	3.46	70	4	4	FBK0508334
3.97	19	25	3.47	70	4	4	FBK0508335
3.98	19	25	3.48	70	4	4	FBK0508336
3.99	19	25	3.49	70	4	4	FBK0508337
4.0	19	25	3.5	75	4	4	FBK0508338
4.01	19	25	3.51	70	4	4	FBK0508339
4.02	19	25	3.52	70	4	4	FBK0508340
4.03	19	25	3.53	70	4	4	FBK0508341
4.04	19	25	3.54	70	4	4	FBK0508342
4.05	19	25	3.55	75	4	4	FBK0508343
4.1	22	25	3.6	75	4	4	FBK0508344
4.15	22	25	3.65	75	4	4	FBK0508345
4.2	22	25	3.7	75	4	4	FBK0508346
4.25	22	25	3.75	80	4	4	FBK0508347
4.3	22	25	3.8	80	4	4	FBK0508348
4.35	22	25	3.85	80	4	4	FBK0508349
4.4	22	25	3.9	80	4	4	FBK0508350
4.45	22	25	3.95	80	4	4	FBK0508351
4.5	22	25	4	80	4	4	FBK0508352
4.55	22	25	4.05	80	4	4	FBK0508353
4.6	22	25	4.1	80	4	4	FBK0508354
4.65	22	25	4.15	80	5	6	FBK0508355
4.7	22	25	4.2	80	5	6	FBK0508356
4.74	7/8"	25	4.24	2-3/4"	5	6	FBK0508357
4.75	22	25	4.25	80	5	6	FBK0508358
4.8	22	29	4.3	86	5	6	FBK0508359
4.85	22	29	4.35	86	5	6	FBK0508360



TMRT Totem multi flute reaming tools



DRILLS



P0-P6

K1-K3

M1-M3

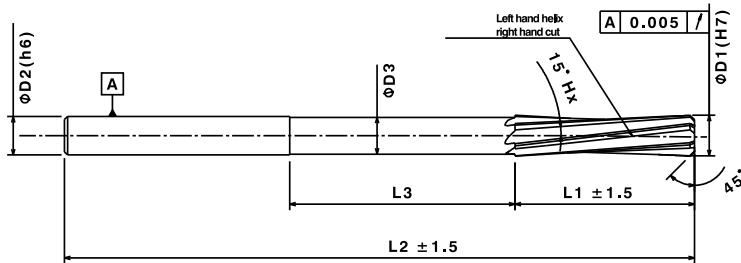
N1-N7

Unit : mm

D1	L1	L3	D3	L2	D2	z	SPIRAL FLUTE
mm	mm	mm	mm	mm	mm	mm	EDP No
4.9	25	29	4.4	85	5	6	FBK0508361
4.95	25	29	4.45	86	5	6	FBK0508362
4.96	25	29	4.46	86	5	6	FBK0508363
4.97	25	29	4.47	86	5	6	FBK0508364
4.99	25	29	4.49	86	5	6	FBK0508365
5.0	25	29	4.5	86	5	6	FBK0508366
5.01	25	29	4.51	86	5	6	FBK0508367
5.02	25	29	4.52	86	5	6	FBK0508368
5.03	25	29	4.53	86	5	6	FBK0508369
5.04	25	29	4.54	86	5	6	FBK0508370
5.05	25	29	4.55	86	5	6	FBK0508371
5.1	25	29	4.6	86	5	6	FBK0508372
5.15	25	29	4.65	86	5	6	FBK0508373
5.2	25	29	4.7	86	5	6	FBK0508374
5.25	25	29	4.75	86	5	6	FBK0508375
5.3	25	29	4.8	86	5	6	FBK0508376
5.35	25	29	4.85	86	5	6	FBK0508377
5.4	25	33	4.9	93	5	6	FBK0508378
5.45	25	33	4.95	93	5	6	FBK0508379
5.5	25	33	5	93	5	6	FBK0508380
5.55	25	33	5.05	93	5	6	FBK0508381
5.6	25	33	5.1	93	5	6	FBK0508382
5.65	25	33	5.15	93	6	6	FBK0508383
5.7	25	33	5.2	93	6	6	FBK0508384
5.75	25	33	5.25	93	6	6	FBK0508385
5.8	25	33	5.3	93	6	6	FBK0508386
5.85	25	33	5.35	93	6	6	FBK0508387
5.9	25	33	5.4	93	6	6	FBK0508388
5.95	25	33	5.45	93	6	6	FBK0508389
5.96	25	33	5.46	93	6	6	FBK0508390
5.97	25	33	5.47	93	6	6	FBK0508391
5.98	25	33	5.48	93	6	6	FBK0508392
5.99	25	33	5.49	93	6	6	FBK0508393



Totem multi flute reaming tools



- P0-P6
- K1-K3
- M1-M3
- N1-N7

DRILLS

Unit : mm

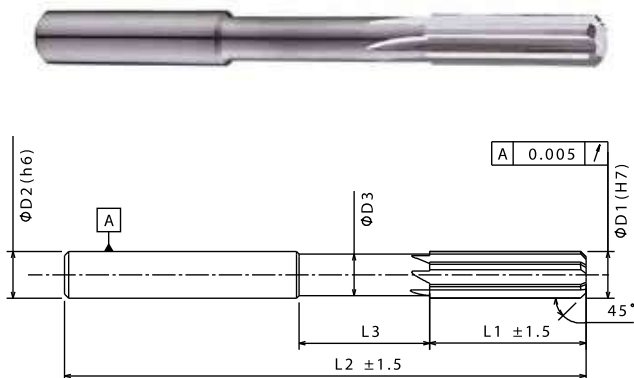
D1	L1	L3	D3	L2	D2	z	SPIRAL FLUTE
mm	mm	mm	mm	mm	mm	mm	EDP No
6.0	25	33	5.5	93	6	6	FBK0508394
6.01	25	33	5.51	93	6	6	FBK0508395
6.02	25	33	5.52	93	6	6	FBK0508396
6.03	25	33	5.53	93	6	6	FBK0508397
6.04	25	33	5.54	93	6	6	FBK0508398
6.05	25	33	5.55	93	6	6	FBK0508399
6.06	25	33	5.56	93	6	6	FBK0508400
6.1	29	36	5.6	101	6	6	FBK0508401
6.13	29	36	5.63	101	6	6	FBK0508402
6.2	29	36	5.7	101	6	6	FBK0508403
6.25	29	36	5.75	101	6	6	FBK0508404
6.3	29	36	5.8	101	6	6	FBK0508405
6.4	29	36	5.9	101	6	6	FBK0508406
6.5	29	36	6	101	6	6	FBK0508407
6.95	29	36	6.45	101	6	6	FBK0508408
6.96	29	36	6.46	101	6	6	FBK0508409
6.97	29	36	6.47	101	6	6	FBK0508410
6.98	29	36	6.48	101	6	6	FBK0508411
6.99	29	36	6.49	101	6	6	FBK0508412
7.0	29	36	6.5	101	6	6	FBK0508413
7.98	32	40	7.48	117	8	6	FBK0508414
8.01	32	40	7.51	117	8	6	FBK0508415
8.03	32	40	7.53	117	8	6	FBK0508416
8.0	32	40	7.5	117	8	6	FBK0508417
8.5	32	40	8	117	8	6	FBK0508418
9.0	32	40	8.5	117	9	6	FBK0508419
9.5	32	40	9	117	9	6	FBK0508420
10.0	38	50	9.5	133	10	6	FBK0508421
10.5	38	50	10	133	10	6	FBK0508422
11.0	38	50	10.5	133	11	6	FBK0508423
11.5	38	50	11	133	11	6	FBK0508424
12.0	38	50	11.5	133	12	6	FBK0508425



TMRT Totem multi flute reaming tools



DRILLS



P0-P6

K1-K3

M1-M3

N1-N7

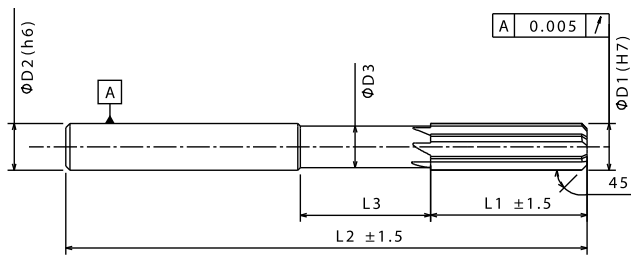
Unit : mm

D1	L1	L3	D3	L2	D2	z	STRAIGHT FLUTE
mm	mm	mm	mm	mm	mm	mm	EDP No
1.5	16	16	1.4	57	3	4	FBK0509075
1.95	16	16	1.7	57	3	4	FBK0509076
1.96	16	16	1.7	57	3	4	FBK0509077
1.97	16	16	1.7	57	3	4	FBK0509078
1.98	16	16	1.7	57	3	4	FBK0509079
1.99	16	16	1.7	57	3	4	FBK0509080
2.0	16	16	1.8	57	3	4	FBK0509081
2.01	16	16	1.8	57	3	4	FBK0509082
2.02	16	16	1.8	57	3	4	FBK0509083
2.03	16	16	1.8	57	3	4	FBK0509084
2.04	16	16	1.8	57	3	4	FBK0509085
2.05	16	16	1.8	57	3	4	FBK0509086
2.95	16	16	2.7	65	3	4	FBK0509087
2.96	16	16	2.7	65	3	4	FBK0509088
2.97	16	16	2.7	65	3	4	FBK0509089
2.98	16	16	2.7	65	3	4	FBK0509090
2.99	16	16	2.7	65	3	4	FBK0509091
3.0	16	20	2.5	65	3	4	FBK0509092
3.01	16	20	2.51	65	3	4	FBK0509093
3.02	16	20	2.52	65	3	4	FBK0509094
3.03	16	20	2.53	65	3	4	FBK0509095
3.04	16	20	2.54	65	3	4	FBK0509096
3.05	16	20	2.55	65	3	4	FBK0509097
3.1	16	20	2.6	65	3	4	FBK0509098
3.2	16	20	2.7	65	3	4	FBK0509099
3.3	19	20	2.8	65	3	4	FBK0509100
3.35	19	20	2.85	65	3	4	FBK0509101
3.4	19	20	2.9	70	3	4	FBK0509102
3.45	19	20	2.95	70	3	4	FBK0509103
3.55	19	20	3.05	70	3	4	FBK0509104
3.6	19	20	3.1	70	3	4	FBK0509105
3.65	19	20	3.15	70	3	4	FBK0509106



TMRT

Totem multi flute reaming tools



- P0-P6
- K1-K3
- M1-M3
- N1-N7

DRILLS

Unit : mm

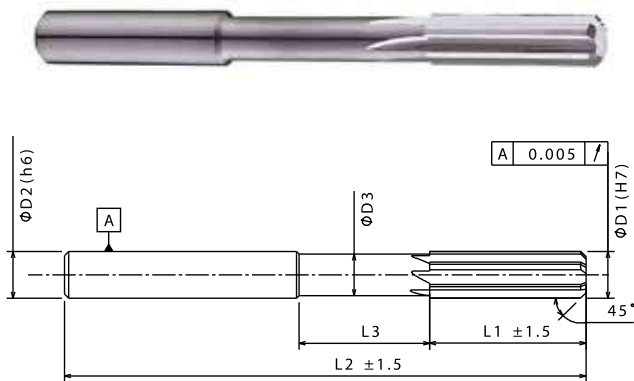
D1	L1	L3	D3	L2	D2	z	STRAIGHT FLUTE
mm	mm	mm	mm	mm	mm	mm	EDP No
3.7	19	25	3.2	70	4	4	FBK0509107
3.75	19	25	3.25	75	4	4	FBK0509108
3.8	19	25	3.3	75	4	4	FBK0509109
3.9	19	25	3.4	75	4	4	FBK0509110
3.95	19	25	3.45	75	4	4	FBK0509111
3.96	19	25	3.46	70	4	4	FBK0509112
3.97	19	25	3.47	70	4	4	FBK0509113
3.98	19	25	3.48	70	4	4	FBK0509114
3.99	19	25	3.49	70	4	4	FBK0509115
4.0	19	25	3.5	75	4	4	FBK0509116
4.01	19	25	3.51	70	4	4	FBK0509117
4.02	19	25	3.52	70	4	4	FBK0509118
4.03	19	25	3.53	70	4	4	FBK0509119
4.04	19	25	3.54	70	4	4	FBK0509120
4.05	19	25	3.55	75	4	4	FBK0509121
4.1	22	25	3.6	75	4	4	FBK0509122
4.15	22	25	3.65	75	4	4	FBK0509123
4.2	22	25	3.7	75	4	4	FBK0509124
4.25	22	25	3.75	80	4	4	FBK0509125
4.3	22	25	3.8	80	4	4	FBK0509126
4.35	22	25	3.85	80	4	4	FBK0509127
4.4	22	25	3.9	80	4	4	FBK0509128
4.45	22	25	3.95	80	4	4	FBK0509129
4.5	22	25	4	80	4	4	FBK0509130
4.55	22	25	4.05	80	4	4	FBK0509131
4.6	22	25	4.1	80	4	4	FBK0509132
4.65	22	25	4.15	80	5	6	FBK0509133
4.7	22	25	4.2	80	5	6	FBK0509134
4.74	7/8"	25	4.24	2-3/4"	5	6	FBK0509135
4.75	22	25	4.25	80	5	6	FBK0509136
4.8	22	29	4.3	86	5	6	FBK0509137
4.85	22	29	4.35	86	5	6	FBK0509138



TMRT Totem multi flute reaming tools



DRILLS



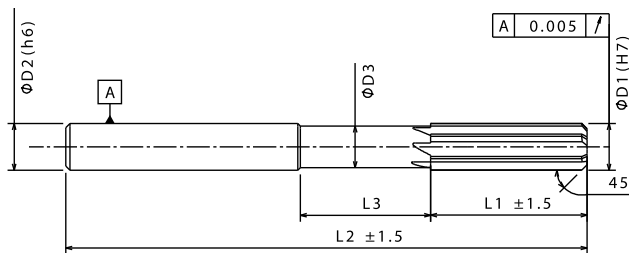
- P0-P6
- K1-K3
- M1-M3
- N1-N7

Unit : mm

D1	L1	L3	D3	L2	D2	z	STRAIGHT FLUTE
mm	mm	mm	mm	mm	mm	mm	EDP No
4.9	25	29	4.4	85	5	6	FBK0509139
4.95	25	29	4.45	86	5	6	FBK0509140
4.96	25	29	4.46	86	5	6	FBK0509141
4.97	25	29	4.47	86	5	6	FBK0509142
4.99	25	29	4.49	86	5	6	FBK0509143
5.0	25	29	4.5	86	5	6	FBK0509144
5.01	25	29	4.51	86	5	6	FBK0509145
5.02	25	29	4.52	86	5	6	FBK0509146
5.03	25	29	4.53	86	5	6	FBK0509147
5.04	25	29	4.54	86	5	6	FBK0509148
5.05	25	29	4.55	86	5	6	FBK0509149
5.1	25	29	4.6	86	5	6	FBK0509150
5.15	25	29	4.65	86	5	6	FBK0509151
5.2	25	29	4.7	86	5	6	FBK0509152
5.25	25	29	4.75	86	5	6	FBK0509153
5.3	25	29	4.8	86	5	6	FBK0509154
5.35	25	29	4.85	86	5	6	FBK0509155
5.4	25	33	4.9	93	5	6	FBK0509156
5.45	25	33	4.95	93	5	6	FBK0509157
5.5	25	33	5	93	5	6	FBK0509158
5.55	25	33	5.05	93	5	6	FBK0509159
5.6	25	33	5.1	93	5	6	FBK0509160
5.65	25	33	5.15	93	6	6	FBK0509161
5.7	25	33	5.2	93	6	6	FBK0509162
5.75	25	33	5.25	93	6	6	FBK0509163
5.8	25	33	5.3	93	6	6	FBK0509164
5.85	25	33	5.35	93	6	6	FBK0509165
5.9	25	33	5.4	93	6	6	FBK0509166
5.95	25	33	5.45	93	6	6	FBK0509167
5.96	25	33	5.46	93	6	6	FBK0509168
5.97	25	33	5.47	93	6	6	FBK0509169
5.98	25	33	5.48	93	6	6	FBK0509170
5.99	25	33	5.49	93	6	6	FBK0509171



Totem multi flute reaming tools



- P0-P6
- K1-K3
- M1-M3
- N1-N7

DRILLS

Unit : mm

D1	L1	L3	D3	L2	D2	z	STRAIGHT FLUTE
mm	mm	mm	mm	mm	mm	mm	EDP No
6.0	25	33	5.5	93	6	6	FBK0509172
6.01	25	33	5.51	93	6	6	FBK0509173
6.02	25	33	5.52	93	6	6	FBK0509174
6.03	25	33	5.53	93	6	6	FBK0509175
6.04	25	33	5.54	93	6	6	FBK0509176
6.05	25	33	5.55	93	6	6	FBK0509177
6.06	25	33	5.56	93	6	6	FBK0509178
6.1	29	36	5.6	101	6	6	FBK0509179
6.13	29	36	5.63	101	6	6	FBK0509180
6.2	29	36	5.7	101	6	6	FBK0509181
6.25	29	36	5.75	101	6	6	FBK0509182
6.3	29	36	5.8	101	6	6	FBK0509183
6.4	29	36	5.9	101	6	6	FBK0509184
6.5	29	36	6	101	6	6	FBK0509185
6.95	29	36	6.45	101	6	6	FBK0509186
6.96	29	36	6.46	101	6	6	FBK0509187
6.97	29	36	6.47	101	6	6	FBK0509188
6.98	29	36	6.48	101	6	6	FBK0509189
6.99	29	36	6.49	101	6	6	FBK0509190
7.0	29	36	6.5	101	6	6	FBK0509191
7.98	32	40	7.48	117	8	6	FBK0509192
8.01	32	40	7.51	117	8	6	FBK0509193
8.03	32	40	7.53	117	8	6	FBK0509194
8.0	32	40	7.5	117	8	6	FBK0509195
8.5	32	40	8	117	8	6	FBK0509196
9.0	32	40	8.5	117	9	6	FBK0509197
9.5	32	40	9	117	9	6	FBK0509198
10.0	38	50	9.5	133	10	6	FBK0509199
10.5	38	50	10	133	10	6	FBK0509200
11.0	38	50	10.5	133	11	6	FBK0509201
11.5	38	50	11	133	11	6	FBK0509202
12.0	38	50	11.5	133	12	6	FBK0509203



FEED RATE CHART

Reaming Metric

Material Group		Cutting Speed Vc (m/min)		mm	Recommended Feed/tooth								
					Diameter in mm								
		min	max	1.50-4.00	4.01-7.00	7.01-9.00	9.01-12.00						
Steel	P	1	40	70	fz	0.04	0.08	0.05	0.10	0.05	0.12	0.05	0.15
		2	40	70	fz	0.04	0.08	0.05	0.10	0.05	0.12	0.05	0.15
		3	35	60	fz	0.04	0.08	0.05	0.10	0.05	0.12	0.05	0.15
		4	25	45	fz	0.04	0.08	0.05	0.10	0.05	0.12	0.05	0.15
		5	15	25	fz	0.03	0.06	0.04	0.08	0.04	0.10	0.04	0.12
		6	15	25	fz	0.03	0.06	0.04	0.08	0.04	0.10	0.04	0.12
Stainless Steel	M	1	8	15	fz	0.03	0.06	0.04	0.08	0.04	0.09	0.04	0.10
		2	8	15	fz	0.03	0.06	0.04	0.08	0.04	0.09	0.04	0.10
		3	8	15	fz	0.03	0.06	0.04	0.08	0.04	0.09	0.04	0.10
Cast Iron	K	1	35	60	fz	0.04	0.14	0.05	0.16	0.05	0.18	0.05	0.20
		2	25	50	fz	0.04	0.12	0.05	0.14	0.05	0.16	0.05	0.18
		3	20	45	fz	0.04	0.10	0.05	0.12	0.05	0.14	0.05	0.16
Non-Ferrous	N	1	110	195	fz	0.05	0.14	0.06	0.16	0.06	0.18	0.06	0.20
		2	110	195	fz	0.05	0.14	0.06	0.16	0.06	0.18	0.06	0.20
		3	110	195	fz	0.05	0.14	0.06	0.16	0.06	0.18	0.06	0.20
		4	110	195	fz	0.05	0.14	0.06	0.16	0.06	0.18	0.06	0.20
		5	105	180	fz	0.05	0.14	0.06	0.16	0.06	0.18	0.06	0.20
Special Alloys	S	1	8	15	fz	0.03	0.06	0.04	0.08	0.04	0.10	0.04	0.12
		2	8	15	fz	0.03	0.06	0.04	0.08	0.04	0.10	0.04	0.12
		3	15	30	fz	0.04	0.08	0.05	0.10	0.05	0.12	0.05	0.15
		4	15	30	fz	0.04	0.08	0.05	0.10	0.05	0.12	0.05	0.15